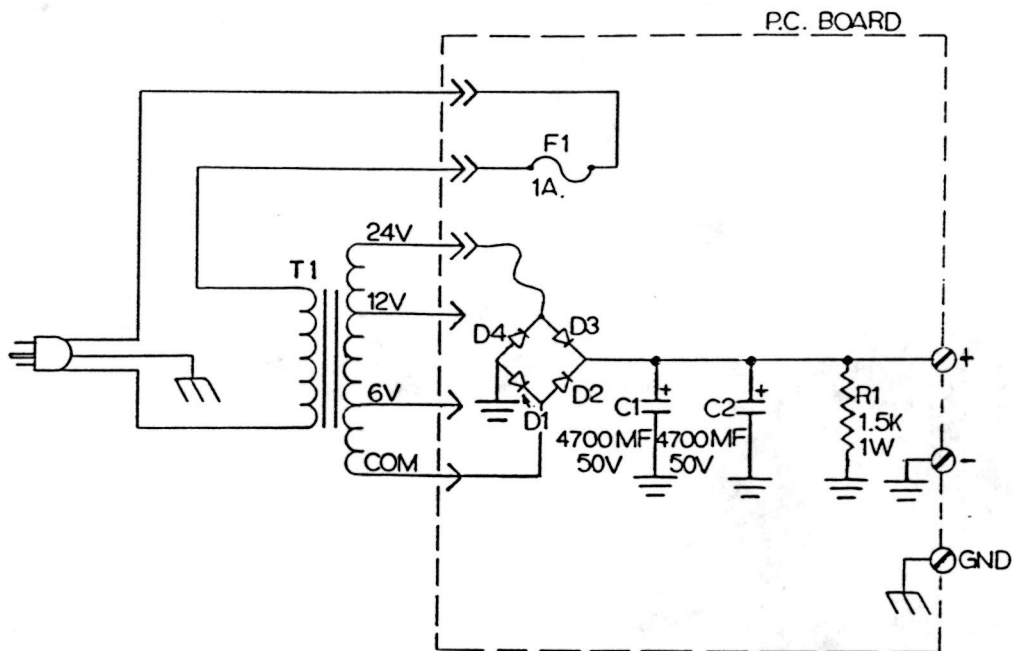




**INPUT – 117 VAC @ 60 Hz**  
**OUTPUT – 6, 12, 24 VDC 2 Amps**



**PARTS LIST**

Ref. Designator	Description	Part No.
T1	Power Transformer	248827
C1, C2	Capacitor, 4700mf 50v	253715
R1	Resistor, 1.5k 1w	110728
D1, D2, D3, D4	Silicon Rect., 400 piv. 2 amp	110973
F1	Fuse, 1 amp AGC 1	111368

**OUTPUT VOLTAGE CHANGE INSTRUCTIONS**

1. Remove bottom cover and locate terminal strip with quick-on connector.
2. Remove quick-on connector from 24 volt terminal and reconnect to 6 volt or 12 volt as desired.

*Specifications are subject to change without notice*

[www.AtlasSound.com](http://www.AtlasSound.com)

